

Installation Instruction

1. Before installing the slides, make sure the dimensions of the cabinet and drawer meet the requirements specified in Figs. 1 and 2.
2. Drill holes on the cabinet following the 'Cabinet Holes Position' drawing on the reverse side. Install the slides on the cabinet using the recommended type of screws.
3. Make cut-outs on the bottom of drawer as indicated in Figs. 3A and 3B, and attach the front release lever to the drawer as shown in Fig. 3C.
4. Pull out the slides on the cabinet.
5. Position the drawer on the slide as shown in Fig. 4A. Push and lower the drawer all the way into the cabinet and down to the slide until clicked to complete the installation as in Figs. 4B and 4C.

Dimension Specifications

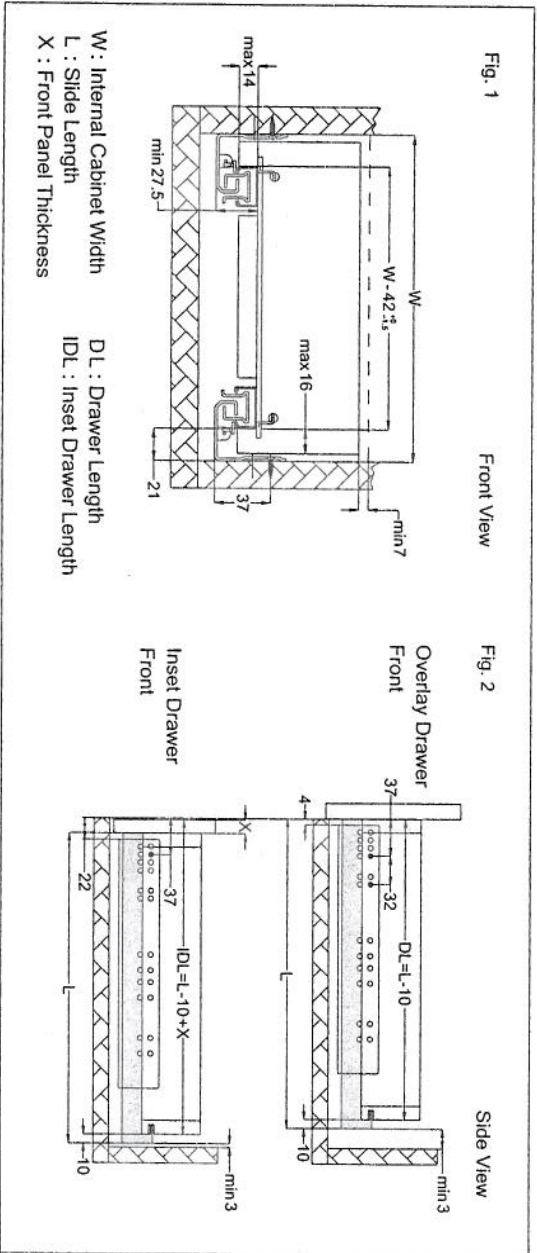


Fig. 3A

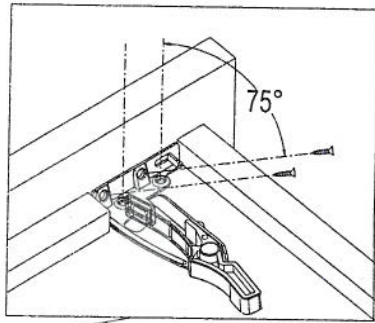
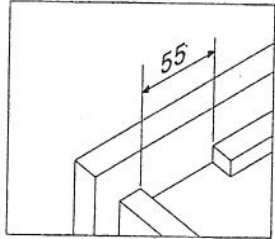
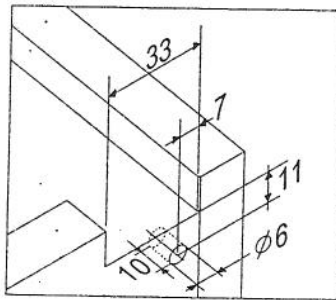


Fig. 3C

Fig. 3B



* You can use optional drill template FL00ZD0-A as page 21.

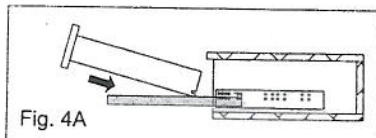


Fig. 4A

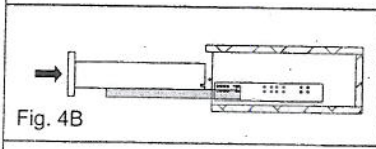


Fig. 4B



Fig. 4C